



RGB LED Tapelight:

Features:

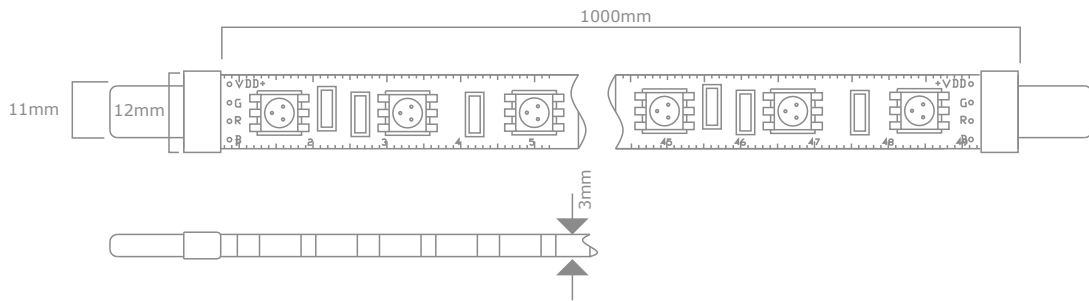
- :: Field cuttable every 2" or 3 LED's.
- :: Low profile for discreet locations.
- :: Easy connectors allow for simple plug and play installation.
- :: UV rays and infrared wavelength are non existent.
- :: **Sold in 16' rolls.**

Electrical:

- :: Elite LED tape light is offered with a 100W 12V driver (LB100-DC-12V-100-120) that can power one run at 16' (5m).
- :: Elite LED color changing RGB tape light controller has 11 different modes and can be controlled via a remote control device. (part number LB101 Controller).
- :: Forward Voltage Drop: 1.92-2.2 V
- :: RGB Controller is designed for LED lighting control. It requires the use of a power supply and can power up to 32'. An amplifier is recommended for runs longer than 32'.



Dimensions:



TYPE	COLOR	VOLTAGE	CURRENT (MA)	POWER (W/FT)	VIEW ANGLE	LM/FT	# OF DIODES/ FT	ACCESSORIES
LB201-15F-RGB	● RED	12V DC	<200					LB101-CONTROLLER 11 Mode RGB Remote LB101-ACC-AMP Controller RGB amplifier LB200-END CAP Holding to the surface LB200-END CAP End Cap LB200-POWER CAP Cap used for power feed LB200-SILICONE Silicone Glue LB200-DC-12V-100-120 100W DC Hardwire Driver
	● GREEN	12V DC	<200					
	● BLUE	12V DC	<200					
	RGB	12V DC	<600	<4.4	100°	98	18	

LB100-ACC-MC Male Power Cable Connector

Must be ordered with Magnetic Driver

DIMMABLE COMPACT LED DC 120V MAGNETIC DRIVERS

APPROXIMATE SIZES AND WEIGHT

TYPE	Input(120V)	Output	Depth	Height	Width
LB100-DC-12-40-120*	1@40 Watts	12V DC	2-3/4"	5"	2"
LB100-DC-12-60-120*	1@60 Watts	12V DC	2-1/2"	6"	2-3/4"
LB100-DC-12-100-120	1@100 Watts	12V DC	2-1/2"	6"	2-3/4"
LB100-DC-24-40-120*	1@40 Watts	24V DC	2-3/4"	5"	2"
LB100-DC-24-60-120*	1@60 Watts	24V DC	2-1/2"	6"	2-3/4"
LB100-DC-24-100-120	1@100 Watts	24V DC	2-1/2"	6"	2-3/4"

Note:

*Class2 Dimmable LED DC Magnetic Transformer

DIMMABLE COMPACT LED DC 277V MAGNETIC DRIVERS

APPROXIMATE SIZES AND WEIGHT

TYPE	Input(277V)	Output	Depth	Height	Width
LB100-DC-12-40-277	1@40 Watts	12V DC	2-3/4"	5"	2"
LB100-DC-12-60-277	1@60 Watts	12V DC	2-1/2"	6"	2-3/4"
LB100-DC-12-100-277	1@100 Watts	12V DC	2-1/2"	6"	2-3/4"
LB100-DC-24-40-277	1@40 Watts	24V DC	2-3/4"	5"	2"
LB100-DC-24-60-277	1@60 Watts	24V DC	2-1/2"	6"	2-3/4"
LB100-DC-24-100-277	1@100 Watts	24V DC	2-1/2"	6"	2-3/4"

Mini Channel Mounting System

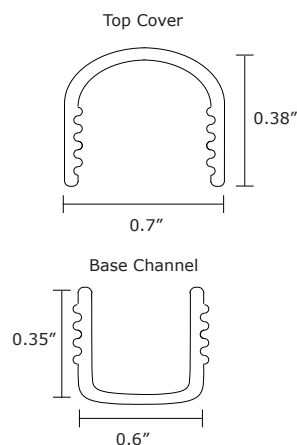


Dimensions

Length: 50"

Height: 1/2"

Width: 3/4"



Features

Easy to snap together top and bottom design

Finish

LB100-BC-AL (Aluminium- Base Channel)

LB100-BC-WH (White- Base Channel)

LB100-BC-CL (Clear- Base Channel)

LB100-TC-CL (Clear- Top Cover)

LB100-TC-CLF (Clear Frosted- Top Cover)

LB100-TC-WH (White- Top Cover)

LB100-TC-WF (White Frosted- Top Cover)