

# RL630/RL607/RL611/RL622

6" LED RETROFIT MODULE - 676, 900 & 1200 LUMEN



## UNIQUELY ENGINEERED FOR NEW AND EXISTING CONSTRUCTION

The Elite **Module LED** has been engineered for new construction where Title-24's "No Edison Socket" mandate has been initiated. A dedicated housing installs the same as any other Elite Lighting product and features our adjustable, lockable and tiltable nail bars.

The **Module LED** can also be installed into most 6-inch incandescent downlights by using our unique Edison adapter. Over 675, 900, and 1200 usable lumens are directed from the luminaire to the work surface. Lighting is smooth and comfortable, all while using 75% less energy than the equivalent 65W BR30, 75W BR30, and 100W PAR38 lamps and 25% less than the common 18W, 26W, and 32W CFL. Plus the Elite **Module LED** features 50,000 hours life, and California Title-24 compliance.

## FEATURES

Greater light output than an 18W, 26W, and 32W CFL or a 65W BR30, 75W BR30, and 100W PAR38 while consuming less than 14W, 16W and 24W of power.

## OPTICS

### Anyone can mount a chip to a heat sink and make a down light.

Gather the light scattered by the LED chip, shape it into a functional beam with a state of the art reflector, integrate the light through a smooth reflector to minimize brightness, then top it all off with a glare reducing cone that has a 55-degree cut-off. Now you have the Elite-engineered, superior quality, **Module LED** (RL630) consuming less than 14 Watts, 16 Watts, and 24 Watts while producing over 676, 900, and 1200 lumens. Available in Baffle, Reflector & Wall Wash options.

## DURABILITY

Die-cast aluminum housing and heat management system are engineered for extremely long life and service period. Without proper heat management, any LED luminaire will fail. Our die-cast system pulls the heat from the LED chip, allowing the continued cool operation for years. Life tests have shown the Elite **Module LED** light output will be maintained at 70% of initial at 50,000 hours of operation. Our superior design allows for installation in construction that requires the Elite Air-Shut™ system. Our LED driver is rated for 50 to 60 Hz, produces less than 20% THD, has a power factor between 0.90 and 1.00 and is thermal protected for additional safety.

## REPEATABLE

Repeatability means quality. From our chip selection process, to our driver, to the thermal management, the Elite LED Module is engineered for quality. All Elite LED luminaires are rated at 85+ CRI and 27K, 30K, 35K, 40K and 50K, as rated and tested to LM-79 and LM-80 standards by a certified laboratory, and meets the California Title-24 compliance standards. Our stringent chip specifications to accept only those chips that produce no ultra violet light and with very minimal infrared.

## DIMMABLE

The Elite **Module LED** system is fully dimmable down to 10% of initial light output with a Triac and Electronic Low Voltage dimmer when ordered with the following options (DIMTR-120). A 0-10 Volt dimming driver can also be ordered when specified with the following options (DIM10-120, DIM10-277). Consult Factory for details.

## INTERCHANGEABLE

The 600 lumen and 900 lumen Elite **Module LED** system works in our dedicated (LD6IC-AT, LD6RIC-AT, LD6-AT, LD6R-AT) housings and our existing 6" incandescent housings (or standard B6IC-AT, EZ6IC-AT and B6RIC-AT) but is also suitable for using in most 6-inch recessed downlight housing. The 1200 lumen Elite **Module LED** system works in our dedicated Non-IC (LD6-AT, LD6R-AT) housings and our existing 6" incandescent Non-IC housings (or standard B6-AT and B6R-AT) but is also suitable for using in most 6-inch recessed downlight housing.

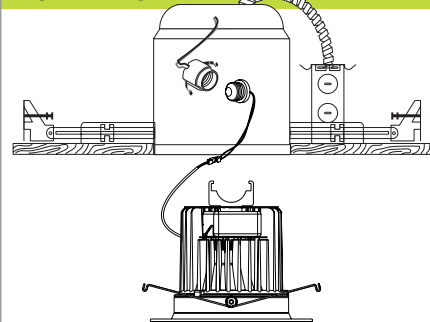
## ADAPTABLE

All Elite **Module LED** luminaires are shipped standard with our custom engineered Edison adapter. This adapter assembly allows the luminaires to install directly into existing Elite 6" downlight housings and most other 6-inch downlight housings.

## OUR WORD

The Elite **Module LED** is warranted for 5 years of flawless operation. As a system, we stand behind the entire Elite products from housing to bar hangers. When the **Module LED** is installed in retrofit applications, only the **Module LED** itself is warranted.

## INSTALLATION



- Socket adapter removes from module, allowing installation to be quick and easy. Simply screw in the adapter and plug in the module.

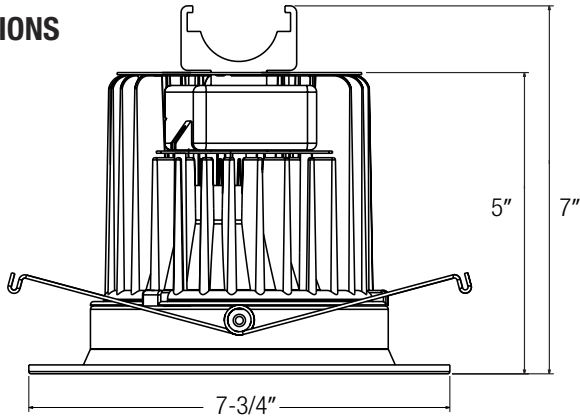
- Utilizes industry standard V or torsion springs, installs in most 6" incandescent down lights. Insert torsion springs into can and press trim to ceiling. Friction blades also included in box.



## CERTIFICATIONS

- cULus / ETL
- RoHS
- IECC
- New York state
- Made in USA
- UL/cUL Listed for Wet
- UL/cUL Listed for Damp Location
- California Title 24
- Washington state
- LM79/LM80

## DIMENSIONS



Example: **RL630-14W-DIMTR-120-30K-W-WH**

TYPE	676 LUMENS	900 LUMENS	1200 LUMENS	COLOR		FINISH		OPTIONS
RL630 (BAFFLE)	<input type="checkbox"/> 14W-DIMTR-120 <input type="checkbox"/> 14W-DIM10-120 <input type="checkbox"/> 14W-DIM10-277	<input type="checkbox"/> 16W-DIM10-120 <input type="checkbox"/> 16W-DIM10-277	<input type="checkbox"/> 24W-DIM10-120 <input type="checkbox"/> 24W-DIM10-277	<input type="checkbox"/> 27K <input type="checkbox"/> 30K <input type="checkbox"/> 35K	<input type="checkbox"/> 40K <input type="checkbox"/> 50K	<input type="checkbox"/> W-WH <input type="checkbox"/> P-WH <input type="checkbox"/> SN-SN	<input type="checkbox"/> CP-CP <input type="checkbox"/> BZ-BZ <input type="checkbox"/> P-BK	<input type="checkbox"/> GU24SA- GU24 SOCKET ADAPTER

### \*RECOMMENDED DIMMERS FOR LED SYSTEM - RL630

LUTRON DIMMERS		LUTRON CONTROL SYSTEM	LEVITON DIMMERS
DIMTR		DIMTR	DIMTR
Diva DVCL-153P Skylark CTCL-153P Nova N-600 NovaT NT-600 Skylark S-600 Ariadni AY-600P Nova NTLV-600 Nova NLV-600	Maestro MRF2-6ND NovaT NTELV-600 Diva DVELV-300P Skylark SELV-300P	Homeworks HW/LP-RPM-4A-120 PHPM-PA Graphic Eye QS Radio RA2 RRD-10ND PHPM-PA ELV1-1000	IllumaTech IPE04 Sureslide 6633 Acenti Vizia+

\* FOR LED LOADS, MAXIMUM CAPACITY SHOULD BE DERATED TO 25% OF PUBLISHED MAXIMUM CAPACITY.

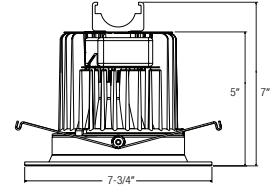


## BAFFLE

RL630- **A** - **B** - **C** - **D**

(A) WATTAGE	(B) VOLTAGE/DRIVER	(C) COLOR TEMP	(D) FINISH
<input type="checkbox"/> 14W (676 Lumens)	<input type="checkbox"/> DIMTR-120 <input type="checkbox"/> DIM10-120 <input type="checkbox"/> DIM10-277	<input type="checkbox"/> 27K <input type="checkbox"/> 30K <input type="checkbox"/> 35K <input type="checkbox"/> 40K <input type="checkbox"/> 50K	<input type="checkbox"/> W-WH <input type="checkbox"/> P-WH <input type="checkbox"/> SN-SN <input type="checkbox"/> CP-CP <input type="checkbox"/> BZ-BZ <input type="checkbox"/> P-BK
<input type="checkbox"/> 16W (900 Lumens)	<input type="checkbox"/> DIM10-120 <input type="checkbox"/> DIM10-277		
<input type="checkbox"/> 24W (1200 Lumens)	<input type="checkbox"/> DIM10-120 <input type="checkbox"/> DIM10-277		

LED (Retrofit) Die-cast Aluminum Lensed Stepped Baffle with Trim Ring  
See ordering chart for compatible housing 102



RL630- **A** - **B** - **C** -W-WH

(WATTAGE) (VOLTAGE/DRIVER) (COLOR TEMP)

Photometric Multiplier 1.0

RL630- **A** - **B** - **C** -P-WH

(WATTAGE) (VOLTAGE/DRIVER) (COLOR TEMP)

Photometric Multiplier .75

RL630- **A** - **B** - **C** -SN-SN

(WATTAGE) (VOLTAGE/DRIVER) (COLOR TEMP)

Photometric Multiplier .92



RL630- **A** - **B** - **C** -CP-CP

(WATTAGE) (VOLTAGE/DRIVER) (COLOR TEMP)

Photometric Multiplier .87

RL630- **A** - **B** - **C** -P-BK

(WATTAGE) (VOLTAGE/DRIVER) (COLOR TEMP)

Photometric Multiplier .75

RL630- **A** - **B** - **C** -BZ-BZ

(WATTAGE) (VOLTAGE/DRIVER) (COLOR TEMP)

Photometric Multiplier .85

## BAFFLE WALL WASH



RL611- **A** - **B** - **C** - **D**

(A) WATTAGE	(B) VOLTAGE/DRIVER	(C) COLOR TEMP	(D) FINISH
<input type="checkbox"/> 14W (540 Lumens)	<input type="checkbox"/> DIMTR-120 <input type="checkbox"/> DIM10-120 <input type="checkbox"/> DIM10-277	<input type="checkbox"/> 27K <input type="checkbox"/> 30K <input type="checkbox"/> 35K <input type="checkbox"/> 40K <input type="checkbox"/> 50K	<input type="checkbox"/> W-W-WH <input type="checkbox"/> P-W-WH <input type="checkbox"/> SN-SN-WH <input type="checkbox"/> CP-CP-WH <input type="checkbox"/> BZ-BZ-WH <input type="checkbox"/> P-BK-WH
<input type="checkbox"/> 16W (720 Lumens)	<input type="checkbox"/> DIM10-120 <input type="checkbox"/> DIM10-277		
<input type="checkbox"/> 24W (960 Lumens)	<input type="checkbox"/> DIM10-120 <input type="checkbox"/> DIM10-277		

LED (Retrofit) Die-cast Aluminum Lensed Stepped Baffle Wall Wash with Trim Ring  
See ordering chart for compatible housing 102

### Ordering Guide for Compatible Housing

RL630-14W-DIMTR-120 RL607-14W-DIMTR-120	Page	RL630-16W-DIM10 RL607-16W-DIM10	Page	RL630-24W-DIM10 RL607-24W-DIM10	Page
HLD6IC-AT-DIMTR-120	98	HLD6IC-AT-DIM10-120	98	HLD6-AT-DIM10-120	100
HLD6IC-AT-277 (NON-DIMMING)	98	HLD6IC-AT-DIM10-277	98	HLD6-AT-DIM10-277	100
HLD6R-AT-DIMTR-120	101	HLD6R-AT-DIM10-120	101	HLD6R-AT-DIM10-120	100
HLD6R-AT-277 (NON-DIMMING)	101	HLD6R-AT-DIM10-277	101	HLD6R-AT-DIM10-277	100
HLD6RIC-AT-DIMTR-120	99	HLD6RIC-AT-DIM10-120	99		
HLD6RIC-AT-277 (NON-DIMMING)	99	HLD6RIC-AT-DIM10-277	99		
		HLD6R-AT-DIM10-120	101		
		HLD6R-AT-DIM10-277	101		