

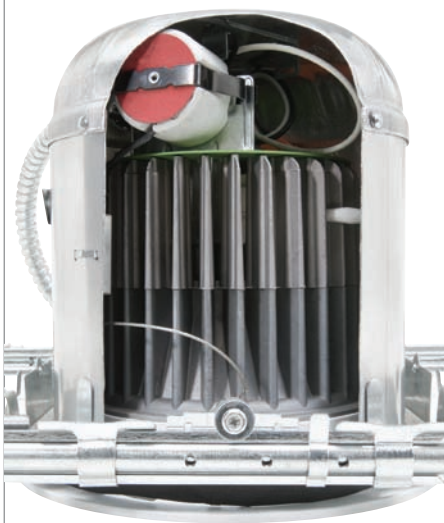
# RL530/RL507/RL511/RL522

## 5"- LUMEN LED MODULE



**900**  
LUMENS

### INSTALLATION



- Socket adapter removes from module, allowing installation to be quick and easy. Simply screw in the adapter and plug in the module. Turning off the entire module is not required.
- Utilizes industry standard V or torsion springs, installs in most 5" incandescent down lights. Insert torsion springs into can and press trim to ceiling. Friction blades are included for alternate mounting.



### CERTIFICATIONS

- cULus / ETL
- RoHS
- IECC
- New York state
- Made in USA
- UL/cUL Listed for Wet
- UL/cUL Listed for Damp Location
- California Title 24
- Washington state
- LM79/LM80

### UNIQUELY ENGINEERED FOR NEW AND EXISTING CONSTRUCTION

The Elite **Module LED** has been engineered for new construction where Title-24's "No Edison Socket" mandate has been initiated. A dedicated housing installs the same as any other Elite Lighting product and features our adjustable, lockable and tiltable nail bars. The **Module LED** can also be installed into most 5-inch incandescent downlights by using our unique Edison adapter.

Over 550 & 900 usable lumens are directed from the luminaire to the work surface. Lighting is smooth and comfortable, all while using 75% less energy than the equivalent 65W BR30 & 75W BR30 and 25% less than the common 18W & 26W CFL. Plus the Elite **Module LED** features 50,000 hours life, and California Title-24 compliance.

### FEATURES

Greater light output than an 18W & 26W CFL or a 65W BR30 & 75W BR30 while consuming less than 12W and 16W of power.

### OPTICS

**Anyone can mount a chip to a heat sink and make a down light.**

Gather the light scattered by the LED chip, shape it into a functional beam with a state of the art reflector, integrate the light through a smooth reflector to minimize brightness, then top it all off with a glare reducing cone that has a 55-degree cut-off. Now you have the Elite-engineered, superior quality, **Module LED** (RL530) consuming less than 12 Watts & 16 Watts & producing over 550 & 900 lumens. Available in Baffle, Reflector & Wall Wash options.

### DURABILITY

Die-cast aluminum housing and heat management system are engineered for extremely long life and service period. Without proper heat management, any LED luminaire will fail. Our die-cast system pulls the heat from the LED chip, allowing the continued cool operation for years. Life tests have shown the Elite **Module LED** light output will be maintained at 70% of initial at 50,000 hours of operation. Our superior design allows for installation in construction that requires the Elite Air-Shut™ system. Our LED driver is rated for 50 to 60 Htz at 120V input, produces less than 10% THD, has a power factor between 0.90 and 1.00 and is thermal protected for additional safety.

### REPEATABLE

Repeatability means quality. From our chip selection process, to our driver, to the thermal management, the Elite LED Module is engineered for quality. All Elite LED luminaires are rated at 85+ CRI and 27K, 30K, 35K, 40K and 50K, as rated and tested to LM-79 and LM-80 standards by a certified laboratory, and meets the California Title-24 compliance standards. Our stringent chip specifications to accept only those chips that produce no ultra violet light and with very minimal infrared.

### DIMMABLE

The Elite LED 12W driver is dimmable down to 15% of initial light output by using an electronic low voltage dimmer when specified with the following option (DIMELV-120). The following Lutron dimmers have been tested to be compatible: • DVELV-300P • NTELV-600 • SELV-300P • HOME WORKS OR GRAFIK-EYE • VANTAGE LIGHTING SYSTEMS. The Elite LED 16W driver is dimmable down to 10% of initial light output by using a 0-10V dimmer and specified with the following options (DIM10-120, DIM10-277).

### INTERCHANGEABLE

The Elite 550 Lumen **Module LED** system works in our dedicated (LD51C-AT, LD51R-AT, LD5-AT, LD5R-AT) housings and our existing 5" incandescent housings (or standard B5, B5R, B51C-AT and B51R-AT) but is also suitable for use in most 5-inch recessed downlight housing. The Elite 900 Lumen **Module LED** system works in our Non-IC dedicated (LD5-AT, LD5R-AT) housing & our existing 5" incandescent Non-IC housing (B5, B5R).

### ADAPTABLE

All Elite **Module LED** luminaires are shipped standard with our custom engineered Edison adapter. This adapter assembly allows the luminaires to install directly into existing Elite 5" downlight housings and most other 5-inch downlight housings.

### OUR WORD

The Elite **Module LED** is warranted for 3 years of flawless operation. As a system, we stand behind the entire Elite products from housing to bar hangers. When the **Module LED** is installed in retrofit applications, only the **Module LED** itself is warranted.

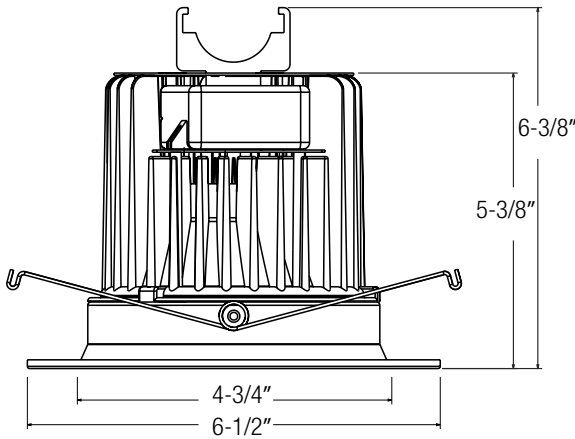
LED  
5"

5 INCH LED RETROFIT MODULE

**RL530 16W**

**TOTAL LUMINAIRE EFFICACY = 56.83 LPW**

**DIMENSIONS**



**RL530-16W-120-DIM-FL-41K-W-WH**

TEST NO.: **ELT-RL530-0005**

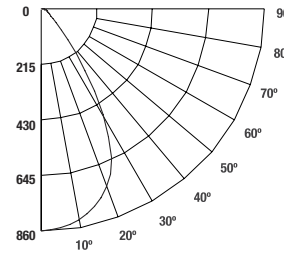
LUMENS: **909.3**

CRI: **85+**

EFFICACY: **56.83**

SPACING CRITERIA: **1.0**

**Candle Power Distribution Curve (Candela)**



**Candela Distribution**

Q	Candela
0	860
5	853
15	792
25	640
35	295
45	80
55	34
65	22
75	11
85	2
90	0

**Zonal Lumen Summary**

Zone	Lumens	%Lamp	%Fixture
0-30	588.4	64.7%	64.7%
0-40	774.2	85.2%	85.2%
0-60	872.4	96%	96%
0-90	908.9	100%	100%

**Cone of Light**

Distance to Plane	Initial Footcandle at Nadir	Beam Diameter
2.0'	215.05	2.4'
4.0'	53.76	4.8'
6.0'	23.89	7.3'
8.0'	13.44	9.7'
10.0'	8.60	12.1'
12.0'	5.97	14.5'

**Lumens Per Zone**

Zone	Lumens
0-10	80.6
10-20	222.2
20-30	285.6
30-40	185.7
40-50	67.1
50-60	31.2
60-70	22.0
70-80	11.9
80-90	2.7

**Luminance (Average Candela/M²)**

Angle In Degrees	Average 0°	Average 45°	Average 90°
45°	9669	9669	9669
55°	5028	5028	5028
65°	4496	4496	4496
75°	3671	3671	3671
85°	2141	2141	2141

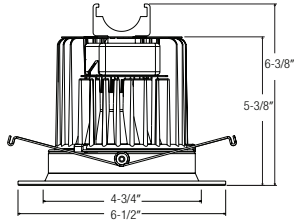
BEAM DIA. MEASURED AT 50% OF NADIR F.C.

Example: **RL530-12W-DIMELV-120-30K-W-WH**

TYPE	550 LUMENS	900 LUMENS	COLOR	FINISH	OPTIONS	
RL530 (BAFFLE)	<input type="checkbox"/> 12W-DIMELV-120	<input type="checkbox"/> 16W-DIMTR-120 <input type="checkbox"/> 16W-DIM10-277	<input type="checkbox"/> 27K <input type="checkbox"/> 35K <input type="checkbox"/> 30K <input type="checkbox"/> 40K <input type="checkbox"/> 50K	<input type="checkbox"/> W-WH <input type="checkbox"/> P-WH <input type="checkbox"/> SN-SN	<input type="checkbox"/> CP-CP <input type="checkbox"/> BZ-BZ <input type="checkbox"/> P-BK	<input type="checkbox"/> GU24SA- GU24 SOCKET ADAPTER

**\*RECOMMENDED DIMMERS FOR ELITE -RL530**

LUTRON DIMMERS			LUTRON CONTROL SYSTEM			LEVITON DIMMERS		
DIMTR	DIM10	DIM ELV	DIMTR	DIM10	DIM ELV	DIMTR	DIM10	DIM ELV
Diva DVCL-153P Nova N-600 NovaT NT-600 Skylark S-600 Ariadni AY-600P Nova NLV-600 Maestro MRF2-6ND	Nova NFTV NovaT NTFTV Diva DVTV Diva DVSCTV	NovaT NTELV-600 Diva DVELV-300P Skylark SELV-300P	Homeworks HW/LP-RPM-4A-120 PHPM-PA Graphic Eye QS Radio RA2 RRD-10ND	GRX-TV1 GRX-TV2	PHPM-PA ELV1-1000	IlumaTech IPE04	AWSMT-7DW AWSMG-7DW AMRMG-7DW Leviton Centura IlumaTech IP7 Series	IlumaTech IPE04



## BAFFLE

RL530- **A** - **B** - **C** - **D**

(A) WATTAGE	(B) VOLTAGE/DRIVER	(C) COLOR TEMP	(D) FINISH
<input type="checkbox"/> 12W (550 LUMENS)	<input type="checkbox"/> DIMELV-120	<input type="checkbox"/> 27K <input type="checkbox"/> 30K <input type="checkbox"/> 35K <input type="checkbox"/> 40K <input type="checkbox"/> 50K	<input type="checkbox"/> W-WH <input type="checkbox"/> P-WH <input type="checkbox"/> SN-SN <input type="checkbox"/> CP-CP <input type="checkbox"/> BZ-BZ <input type="checkbox"/> P-BK
<input type="checkbox"/> 16W (900 LUMENS)	<input type="checkbox"/> DIM10-120 <input type="checkbox"/> DIM10-277		

LED (Retrofit) Die-cast Aluminum Lensed Stepped Baffle with Trim Ring  
See ordering chart for compatible housing 120-123

### Ordering Guide for Compatible Housing

RL530-12W-DIMELV-120	Page	RL530-16W-DIM10	Page
HLD5IC-AT-120	120	HLD5-AT-DIM10-120	122
HLD5IC-AT-277 (NON-DIMMING)	120	HLD5-AT-DIM10-277	122
HLD5RIC-AT-120	121	HLD5R-AT-DIM10-120	123
HLD5RIC-AT-277 (NON-DIMMING)	121	HLD5R-AT-DIM10-277	123

LED  
5"

5 INCH ARCHITECTURAL LED DOWNLIGHT OPTICS



RL530- **A** - **B** - **C** -W-WH  
(WATTAGE) (VOLTAGE/DRIVER) (COLOR TEMP)

*Photometric Multiplier 1.0*



RL530- **A** - **B** - **C** -P-WH  
(WATTAGE) (VOLTAGE/DRIVER) (COLOR TEMP)

*Photometric Multiplier .75*



RL530- **A** - **B** - **C** -SN-SN  
(WATTAGE) (VOLTAGE/DRIVER) (COLOR TEMP)

*Photometric Multiplier .92*



RL530- **A** - **B** - **C** -CP-CP  
(WATTAGE) (VOLTAGE/DRIVER) (COLOR TEMP)

*Photometric Multiplier .87*



RL530- **A** - **B** - **C** -P-BK  
(WATTAGE) (VOLTAGE/DRIVER) (COLOR TEMP)

*Photometric Multiplier .75*



RL530- **A** - **B** - **C** -BZ-BZ  
(WATTAGE) (VOLTAGE/DRIVER) (COLOR TEMP)

*Photometric Multiplier .85*

## BAFFLE WALL WASH



RL511- **A** - **B** - **C** - **D**

(A) WATTAGE	(B) VOLTAGE/DRIVER	(C) COLOR TEMP	(D) FINISH
<input type="checkbox"/> 12W (440 LUMENS)	<input type="checkbox"/> DIMELV-120	<input type="checkbox"/> 27K <input type="checkbox"/> 30K <input type="checkbox"/> 35K <input type="checkbox"/> 40K <input type="checkbox"/> 50K	<input type="checkbox"/> W-W-WH <input type="checkbox"/> P-W-WH <input type="checkbox"/> SN-SN-WH <input type="checkbox"/> CP-CP-WH <input type="checkbox"/> BZ-BZ-WH <input type="checkbox"/> P-BK-WH
<input type="checkbox"/> 16W (720 LUMENS)	<input type="checkbox"/> DIM10-120 <input type="checkbox"/> DIM10-277		

LED (Retrofit) Die-cast Aluminum Lensed Stepped Baffle Wall Wash with Trim Ring  
See ordering chart for compatible housing 120-123