

RL430/RL407/RL411/RL422

4" LUMEN LED MODULE



458
LUMENS

UNIQUELY ENGINEERED FOR NEW AND EXISTING CONSTRUCTION

The Elite **Module LED** has been engineered for new construction where Title-24's "No Edison Socket" mandate has been initiated. A dedicated housing installs the same as any other Elite Lighting product and features our adjustable, lockable and tiltable nail bars. The **Module LED** can also be installed into most 4-inch incandescent downlights by using our unique Edison adapter.

Over 458 usable lumens are directed from the luminaire to the work surface. Lighting is smooth and comfortable, all while using 75% less energy than the equivalent 50W BR20 and 25% less than the common 13W CFL. Plus the Elite **Module LED** features 50,000 hours life, and California Title-24 compliance.

FEATURES

Greater light output than a 13W CFL or a 50W BR20 while consuming less than 10W of power.

OPTICS

Anyone can mount a chip to a heat sink and make a down light.

Gather the light scattered by the LED chip, shape it into a functional beam with a state of the art reflector, integrate the light through a smooth reflector to minimize brightness, then top it all off with a glare reducing cone that has a 55-degree cut-off. Now you have the Elite-engineered, superior quality, **Module LED** consuming less than 10 Watts and producing over 458 lumens. Available in Baffle, Reflector & Wall Wash options.

INSTALLATION



- Socket adapter removes from module, allowing installation to be quick and easy. Simply screw in the adapter and plug in the module. Turning off the entire module is not required.
- Utilizes industry standard friction blades, installs in most 4" incandescent down lights. Insert friction blades into can and press trim to ceiling.

DURABILITY

Die-cast aluminum housing and heat management system are engineered for extremely long life and service period. Without proper heat management, any LED luminaire will fail. Our die-cast system pulls the heat from the LED chip, allowing the continued cool operation for years. Life tests have shown the Elite **Module LED** light output will be maintained at 70% of initial at 50,000 hours of operation. Our superior design allows for installation in construction that requires the Elite Air-Shut™ system. Our LED driver is rated for 50 to 60 Hz at 120V input, produces less than 10% THD, has a power factor between 0.90 and 1.00 and is thermal protected for additional safety.

REPEATABLE

Repeatability means quality. From our chip selection process, to our driver, to the thermal management, the Elite LED Module is engineered for quality. All Elite LED luminaires are rated at 85+ CRI and 27K, 30K, 35K, 40K and 50K, as rated and tested to LM-79 and LM-80 standards by a certified laboratory, and meets the California Title-24 compliance standards. Our stringent chip specifications to accept only those chips that produce no ultra violet light and with very minimal infrared.

DIMMABLE

The Elite **Module LED** is dimmable down to 15% of initial light output by using an electronic low voltage dimmer. The following Lutron dimmers have been tested to be compatible with RL400 Series Modules: • DVELV-300P • NTELV-600 • SELV-300P • HOME WORKS OR GRAFIK-EYE • VANTAGE LIGHTING SYSTEMS. When using any of these dimmers, all power ratings and installation instructions from dimmer manufacturer must be followed. Dimmer control must have same AC input rating as the dimmable power supply driver it connects to. Other electronic low voltage dimmers may be compatible, but have not been tested by Elite LED Lighting.

INTERCHANGEABLE

The Elite **Module LED** system works in our dedicated (LD4IC-AT, LD4-AT, LD4R-AT) housings and our existing 4" incandescent housings (or standard B4IC-AT, B4-AT and B4R-AT) but is also suitable for use in most 4-inch recessed downlight housing.

ADAPTABLE

All Elite **Module LED** luminaires are shipped standard with our custom engineered Edison adapter. This adapter assembly allows the luminaires to install directly into existing Elite 4" downlight housings and most other 4-inch downlight housings.

OUR WORD

The Elite **Module LED** is warranted for 5 years of flawless operation. As a system, we stand behind the entire Elite products from housing to bar hangers. When the **Module LED** is installed in retrofit applications, only the **Module LED** itself is warranted.



CERTIFICATIONS

- cULus
- RoHS
- IECC
- New York state
- Made in USA
- UL/cUL Listed for Wet
- UL/cUL Listed for Damp Location
- California Title 24
- Washington state
- LM79/LM80
- ETL

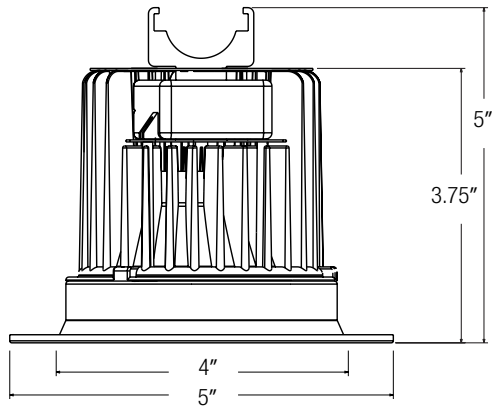
LED
4"

4 INCH LED RETROFIT MODULE

RL430 10W

TOTAL LUMINAIRE EFFICACY = 45.83 LPW

DIMENSIONS



RL430-10W-120-DIM-FL-30K-W-WH

TEST NO.: **ELT-RL430-0006**

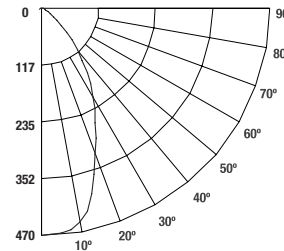
LUMENS: **458.3**

CRI: **85+**

EFFICACY: **45.83**

SPACING CRITERIA: **0.82**

Candle Power Distribution Curve (Candela)



Candela Distribution

Zone	Candela
0	470
5	467
15	397
25	262
35	162
45	72
55	21
65	6
75	1
85	0
90	0

Zonal Lumen Summary

Zone	Lumens	%Lamp	%Fixture
0-30	274.2	59.9%	59.9%
0-40	374.8	81.8%	81.8%
0-60	451.3	98.5%	98.5%
0-90	458.2	100%	100%

Cone of Light

Distance to Plane	Initial Footcandles at Nadir	Beam Diameter
2.0'	215.05	2.1'
4.0'	53.76	4.7'
6.0'	23.89	6.3'
8.0'	13.44	8.4'
10.0'	8.60	10.5'
12.0'	5.97	12.5'

BEAM DIA. MEASURED AT 50% OF NADIR F.C.

Lumens Per Zone

Zone	Lumens
0-10	44.0
10-20	109.6
20-30	120.6
30-40	100.5
40-50	56.3
50-60	20.2
60-70	5.9
70-80	1.0
80-90	0

Luminance (Average Candela/M²)

Angle In Degrees	Average 0°	Average 45°	Average 90°
45°	12753	12753	12753
55°	4606	4606	4606
65°	1702	1702	1702
75°	374	374	374
85°	0	0	0

Example: **RL430-10W-DIMELV-120-30K-W-WH**

TYPE	458 LUMENS	COLOR	FINISH	OPTIONS
RL430 (BAFFLE)	<input type="checkbox"/> 10W-DIMELV-120	<input type="checkbox"/> 27K <input type="checkbox"/> 40K <input type="checkbox"/> 30K <input type="checkbox"/> 50K <input type="checkbox"/> 35K	<input type="checkbox"/> W-WH <input type="checkbox"/> P-WH <input type="checkbox"/> SN-SN	<input type="checkbox"/> CP-CP <input type="checkbox"/> BZ-BZ <input type="checkbox"/> P-BK <input type="checkbox"/> GU24SA- GU24 SOCKET ADAPTER

***RECOMMENDED DIMMERS FOR ELITE -RL430**

LUTRON DIMMERS	LUTRON CONTROL SYSTEM	LEVITON DIMMERS
DIM ELECTRONIC LOW VOLTAGE	DIM ELECTRONIC LOW VOLTAGE	DIM ELECTRONIC LOW VOLTAGE
NovaT NTELV-600 Diva DVELV-300P SkyIark SELV-300P	PHPM-PA ELV1-1000	IllumaTech IPE04



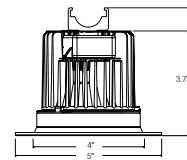
Ordering Guide for Compatible Housing

RL430-10W-DIMELV	Page
HLD4-AT-DIMELV-120	154
HLD4-AT277	154
HLD4IC-AT-DIMELV-120	155
HLD4IC-AT-277	155
HLD4R-AT-DIMELV-120	156
HLD4R-AT-277 (NON-DIMMING)	156

BAFFLE

RL430- **A** - **B** - **C**

(A) WATTAGE	(B) VOLTAGE/DRIVER	(C) COLOR TEMP
<input type="checkbox"/> 10W	<input type="checkbox"/> DIMELV-120	<input type="checkbox"/> 27K <input type="checkbox"/> 30K <input type="checkbox"/> 35K <input type="checkbox"/> 40K <input type="checkbox"/> 50K
LED (Retrofit) Die-cast Aluminum Lensed Stepped Baffle with Trim Ring		
See ordering chart for compatible housing		



LED
4"

4 INCH ARCHITECTURAL LED DOWNLIGHT OPTICS



RL430- **A** - **B** - **C** -W-WH
(WATTAGE) (VOLTAGE/DRIVER) (COLOR TEMP)

Photometric Multiplier 1.0



RL430- **A** - **B** - **C** -P-WH
(WATTAGE) (VOLTAGE/DRIVER) (COLOR TEMP)

Photometric Multiplier .75



RL430- **A** - **B** - **C** -SN-SN
(WATTAGE) (VOLTAGE/DRIVER) (COLOR TEMP)

Photometric Multiplier .92



RL430- **A** - **B** - **C** -CP-CP
(WATTAGE) (VOLTAGE/DRIVER) (COLOR TEMP)

Photometric Multiplier .87



RL430- **A** - **B** - **C** -P-BK
(WATTAGE) (VOLTAGE/DRIVER) (COLOR TEMP)

Photometric Multiplier .75



RL430- **A** - **B** - **C** -BZ-BZ
(WATTAGE) (VOLTAGE/DRIVER) (COLOR TEMP)

Photometric Multiplier .85

BAFFLE WALL WASH



RL411- **A** - **B** - **C** - **D**

(A) WATTAGE	(B) VOLTAGE/DRIVER	(C) COLOR TEMP	(D) FINISH
<input type="checkbox"/> 10W	<input type="checkbox"/> DIMELV-120	<input type="checkbox"/> 27K <input type="checkbox"/> 30K <input type="checkbox"/> 35K <input type="checkbox"/> 40K <input type="checkbox"/> 50K	<input type="checkbox"/> W-W-WH <input type="checkbox"/> P-W-WH <input type="checkbox"/> SN-SN-WH <input type="checkbox"/> CP-CP-WH <input type="checkbox"/> BZ-BZ-WH <input type="checkbox"/> P-BK-WH

LED (Retrofit) Die-cast Aluminum Lensed Stepped Baffle Wall Wash with Trim Ring

See ordering chart for compatible housing