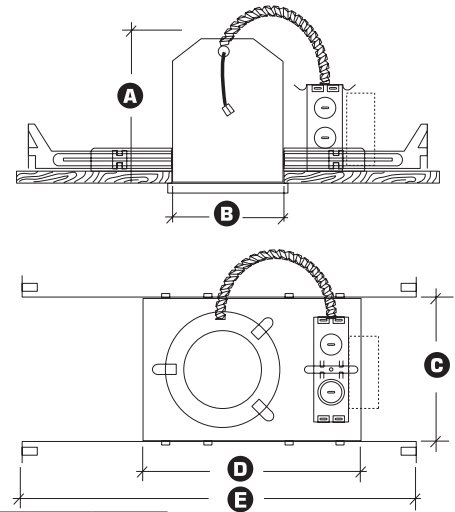


LED2-4 4" NEW CONSTRUCTION NON-IC LED DOWNLIGHT



**600
LUMENS**



- A** Height = 5-1/2"
- B** Cut-out = 4-1/2"
- C** Width = 5-1/2"
- D** Length = 8"
- E** Bar Hanger = 12"-24"

INPUT VOLT.	INPUT FREQ.	INPUT CUR.	INPUT POWER	THD	POWER FACTOR	LUMENS
120/277	50/60Hz	91mA/40mA	11W(+/-5%)	<20%	>0.9	600

DESCRIPTION - 4" LED dedicated New Construction Non-IC housing with the driver installed on the junction box. Designed for new construction installations and suitable for use in ceilings where insulation is kept 3 inches from housing. The excellent color rendering index of 85+ and realistic color temperature of 3,000 degrees Kelvin confirms that the Elite LED luminaires are ideally suited for use in hospitality, health care, commercial, retail and residential applications. Consuming 11 Watts and producing over 600 usable lumens, the lighting is smooth and comfortable while using nearly 80% less energy than the equivalent 50W BR20/PAR20 or MR16 80% less and 25% less than the common 13W CFL. Plus, the eco-friendly Elite LED system features 70% lumen maintenance at 50,000 hours life.

FEATURES - Greater light output than a 50W BR20/PAR20, MR16 80% & 13W CFL 13W CFL while consuming 11 Watts of power. Available in Spot and Flood distribution ideal for task lighting applications.



DURABILITY - Our die-cast system pulls the heat from the LED chip, allowing continued cool operation for years. Life tests have shown the 11 watt Elite LED output will be maintained at 70% of initial lumens at 50,000 hours of operation.

DRIVER - Our LED driver is rated for 50 to 60 Hz, produces less than 20% THD, has a power factor between 0.90 & 1.00 & is thermally protected for additional safety. The Elite LED driver is installed on the junction box cover, it is easily accessible for service from below the ceiling.

REPEATABLE - All Elite LED luminaires are rated at 85+ CRI & tested to LM-79 & LM-80 standards by a certified laboratory, & meets the California Title-24 compliance standards.

DIMMABLE - The Elite LED system is fully dimmable down to 10% of initial light output with a Triac & Electronic Low Voltage dimmer when ordered with the following options (DIMTR-120). Fixtures can be shipped with a Lutron Hilume A series Driver which can be dimmed with Lutron Dimming Systems when ordered with the following options (120-LUTH, 277-LUTH). A 277V NON-Dimming option is also available.

BAR HANGERS - Preinstalled bar hangers allow housing to be positioned and locked at any point within a 24" joist span. They can be positioned on either the long or short axis of the housing and can be shortened for 12" joists. They contain a double-headed real nail for secure attachment into the joist. Bar hanger nails are installed on a 20° downward angle for better contact, and the 90° pivoting mounting plate makes installation fast and accurate. Bar hangers can fit onto T-Bar spline with additional slots and holes for special mounting methods if necessary.

THERMAL PROTECTION - Standard thermal protection device guards against improper installation and misuse of insulation material.

JUNCTION BOX - UL Listed for through-branch circuit wiring, provided with four 1/2" knockouts, one 3/4" knockout and four Romex knockouts with integral strain clamps, all knockouts have true pry-out slots. J-box is designed for straight through conduit runs.

OUR WORD - The LED2-4 eco-friendly Elite LED system is warranted for 3 years.

HOUSING - Die-formed aluminum and galvanized steel for maximum heat dissipation and rust protection. Housing adjusts vertically in plaster frame to accommodate 1/2" to 1-3/8" thick ceiling. Designed for new construction installations and is suitable for use in ceilings where insulation is kept 3 inches from housing. May be installed in 2"

x 6" joist construction.

LISTING

c-UL-us listed for Damp location. c-UL-us listed for feed Through Wiring. LM79 / LM80. Covered by U.S. Patent Number: 7717390B1

DIMMING INFORMATION

DIMTR (Triac & Electronic Low Voltage Dimming)
LUTH (Lutron® Hi-lume® Dimming)

Refer to page 293-295

Example: **LED2-4-11W-DIMTR-120-AT/LED2-1401-11W-SP-30K-W-WH** for Trim options

TYPE	600 LUMENS							
LED2-4	<input type="checkbox"/> 11W-DIMTR-120	<input type="checkbox"/> 11W-LUTH-277						
	<input type="checkbox"/> 11W-LUTH-120	<input type="checkbox"/> 11W-277 (Non-Dimming)						
TRIM TYPE	WATTAGE	OPTICS	COLOR			FINISH		
LED2-1401 (BAFFLE)	<input type="checkbox"/> 11W	<input type="checkbox"/> SP	<input type="checkbox"/> 27K	<input type="checkbox"/> 35K	<input type="checkbox"/> 50K	<input type="checkbox"/> W-WH	<input type="checkbox"/> SN-SN	<input type="checkbox"/> CP-CP
LED2-1405 (LENSED BAFFLE)	<input type="checkbox"/> 11W	<input type="checkbox"/> FL	<input type="checkbox"/> 30K	<input type="checkbox"/> 40K		<input type="checkbox"/> P-WH	<input type="checkbox"/> P-BK	<input type="checkbox"/> BZ-BZ
LED2-1416 (WALL WASH)	<input type="checkbox"/> 11W	<input type="checkbox"/> FL						
TRIM TYPE	WATTAGE	OPTICS	COLOR			FINISH		
LED2-1402 (REFLECTOR)	<input type="checkbox"/> 11W	<input type="checkbox"/> SP	<input type="checkbox"/> 27K	<input type="checkbox"/> 35K	<input type="checkbox"/> 50K	<input type="checkbox"/> CL-WH	<input type="checkbox"/> MB-WH	<input type="checkbox"/> SN-SN
LED2-1428 (LENSED REFLECTOR)	<input type="checkbox"/> 11W	<input type="checkbox"/> FL	<input type="checkbox"/> 30K	<input type="checkbox"/> 40K		<input type="checkbox"/> W-WH	<input type="checkbox"/> CL-CH	<input type="checkbox"/> RG-PB
LED2-1407 (WALL WASH)	<input type="checkbox"/> 11W	<input type="checkbox"/> FL						
LED2-1462	<input type="checkbox"/> 11W	<input type="checkbox"/> FL	<input type="checkbox"/> 27K	<input type="checkbox"/> 35K	<input type="checkbox"/> 50K	<input type="checkbox"/> CL-CP	<input type="checkbox"/> CL-BZ	<input type="checkbox"/> CL-BK
LED2-1437 (SHOWER TRIM)			<input type="checkbox"/> 30K	<input type="checkbox"/> 40K		<input type="checkbox"/> CL-WH	<input type="checkbox"/> CL-SN	<input type="checkbox"/> CL-CH
TRIM TYPE	WATTAGE	OPTICS	COLOR			FINISH		
LED2-1406 (ADJUSTABLE)	<input type="checkbox"/> 11W	<input type="checkbox"/> NFL <input type="checkbox"/> FL <input type="checkbox"/> SP	<input type="checkbox"/> 27K	<input type="checkbox"/> 35K	<input type="checkbox"/> 50K	<input type="checkbox"/> CP	<input type="checkbox"/> BZ	<input type="checkbox"/> BK
			<input type="checkbox"/> 30K	<input type="checkbox"/> 40K		<input type="checkbox"/> WH	<input type="checkbox"/> SN	<input type="checkbox"/> CH
TRIM TYPE	WATTAGE	OPTICS	COLOR			FINISH		
LED2-1414 (PINHOLE)	<input type="checkbox"/> 11W	<input type="checkbox"/> SP	<input type="checkbox"/> 27K	<input type="checkbox"/> 30K	<input type="checkbox"/> 35K	<input type="checkbox"/> 40K	<input type="checkbox"/> 50K	<input type="checkbox"/> WH
TRIM TYPE	WATTAGE	COLOR			FINISH			
LED2-1403 (SLOT APERTURE)	<input type="checkbox"/> 11W	<input type="checkbox"/> 27K	<input type="checkbox"/> 30K	<input type="checkbox"/> 35K	<input type="checkbox"/> 40K	<input type="checkbox"/> 50K	<input type="checkbox"/> WH	

LED
4"

4 INCH NEW CONSTRUCTION NON-IC LED HOUSING

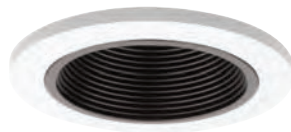
BAFFLE

LED2-1401-11W-SP- A -W-WH



Photometric Multiplier 1.0

LED2-1401-11W-SP- A -P-WH



Photometric Multiplier .75

LED2-1401-11W-SP- A -SN-SN



Photometric Multiplier .92

LED2-1401-11W-SP- A -CP-CP



Photometric Multiplier .87

LED2-1401-11W-SP- A -P-BK



Photometric Multiplier .75

LED2-1401-11W-SP- A -BZ-BZ



Photometric Multiplier .85

Example: LED2-1401-11W-SP-30K-W-WH

TYPE (BAFFLE)	WATTAGE	OPTICS	(A) COLOR		FINISH	
LED2-1401	<input type="checkbox"/> 11W	<input type="checkbox"/> SP	<input type="checkbox"/> 27K	<input type="checkbox"/> 40K	<input type="checkbox"/> W-WH	<input type="checkbox"/> CP-CP
			<input type="checkbox"/> 30K	<input type="checkbox"/> 50K	<input type="checkbox"/> P-WH	<input type="checkbox"/> BZ-BZ
			<input type="checkbox"/> 35K		<input type="checkbox"/> SN-SN	<input type="checkbox"/> P-BK

LENSED BAFFLE

LED2-1405-11W-FL- A -W-WH



Photometric Multiplier 1.0

LED2-1405-11W-FL- A -P-WH



Photometric Multiplier .75

LED2-1405-11W-FL- A -SN-SN



Photometric Multiplier .92

LED2-1405-11W-FL- A -CP-CP



Photometric Multiplier .87

LED2-1405-11W-FL- A -P-BK



Photometric Multiplier .75

LED2-1405-11W-FL- A -BZ-BZ



Photometric Multiplier .85

Example: LED2-1405-11W-FL-30K-W-WH

TYPE (LENSED BAFFLE)	WATTAGE	OPTICS	(A) COLOR		FINISH	
LED2-1405	<input type="checkbox"/> 11W	<input type="checkbox"/> FL	<input type="checkbox"/> 27K	<input type="checkbox"/> 40K	<input type="checkbox"/> W-WH	<input type="checkbox"/> CP-CP
			<input type="checkbox"/> 30K	<input type="checkbox"/> 50K	<input type="checkbox"/> P-WH	<input type="checkbox"/> BZ-BZ
			<input type="checkbox"/> 35K		<input type="checkbox"/> SN-SN	<input type="checkbox"/> P-BK

BAFFLE FINISH:



BZ
BRONZE



CP
COPPER



WH
WHITE



P
BLACK



SN
SATIN NICKEL

TRIM/RING FINISH:



BK
BLACK



WH
WHITE



CH
CHROME



CP
COPPER



BZ
BRONZE



PB
POLISH BRASS



SN
SATIN NICKEL

REFLECTOR

LED2-1402-11W-SP- (A) -CL-WH



Photometric Multiplier 1.0

LED2-1402-11W-SP- (A) -BZ-BZ



Photometric Multiplier .87

LED2-1402-11W-SP- (A) -W-WH



Photometric Multiplier .95

LED2-1402-11W-SP- (A) -CL-CH



Photometric Multiplier 1.0

LED2-1402-11W-SP- (A) -CP-CP



Photometric Multiplier .90

LED2-1402-11W-SP- (A) -SN-SN



Photometric Multiplier .87

LED2-1402-11W-SP- (A) -CL-SN



Photometric Multiplier 1.0

LED2-1402-11W-SP- (A) -RG-PB



Photometric Multiplier .90

LED2-1402-11W-SP- (A) -RG-WH



Photometric Multiplier .90

LED2-1402-11W-SP- (A) -MB-WH



Photometric Multiplier .77

LED2-1402-11W-SP- (A) -MB-BK



Photometric Multiplier .77

Example: LED2-1402-11W-SP-30K-W-WH

TYPE (REFLECTOR)	WATTAGE	OPTICS	(A) COLOR	FINISH
LED2-1402	<input type="checkbox"/> 11W	<input type="checkbox"/> SP	<input type="checkbox"/> 27K <input type="checkbox"/> 40K <input type="checkbox"/> 30K <input type="checkbox"/> 50K <input type="checkbox"/> 35K	<input type="checkbox"/> CP-WH <input type="checkbox"/> MB-WH <input type="checkbox"/> MB-BK <input type="checkbox"/> CL-CH <input type="checkbox"/> W-WH <input type="checkbox"/> CP-CP <input type="checkbox"/> BZ-BZ <input type="checkbox"/> CL-SN <input type="checkbox"/> RG-WH <input type="checkbox"/> SN-SN <input type="checkbox"/> RG-PB

LENSED REFLECTOR

LED2-1428-11W-FL- A -CL-WH



Photometric Multiplier 1.0

LED2-1428-11W-FL- A -BZ-BZ



Photometric Multiplier .87

LED2-1428-11W-FL- A -W-WH



Photometric Multiplier .95

LED2-1428-11W-FL- A -CL-CH



Photometric Multiplier 1.0

LED2-1428-11W-FL- A -CP-CP



Photometric Multiplier .90

LED2-1428-11W-FL- A -SN-SN



Photometric Multiplier .87

LED2-1428-11W-FL- A -CL-SN



Photometric Multiplier 1.0

LED2-1428-11W-FL- A -RG-PB



Photometric Multiplier .90

LED2-1428-11W-FL- A -RG-WH



Photometric Multiplier .90

LED2-1428-11W-FL- A -MB-WH



Photometric Multiplier .77

LED2-1428-11W-FL- A -MB-BK



Photometric Multiplier .77

Example: LED2-1428-11W-FL-30K-W-WH

TYPE (LENSED REFLECTOR)	WATTAGE	OPTICS	(A) COLOR	FINISH
LED2-1428	<input type="checkbox"/> 11W	<input type="checkbox"/> FL	<input type="checkbox"/> 27K <input type="checkbox"/> 40K <input type="checkbox"/> 30K <input type="checkbox"/> 50K <input type="checkbox"/> 35K	<input type="checkbox"/> CP-WH <input type="checkbox"/> MB-WH <input type="checkbox"/> MB-BK <input type="checkbox"/> CL-CH <input type="checkbox"/> W-WH <input type="checkbox"/> CP-CP <input type="checkbox"/> BZ-BZ <input type="checkbox"/> CL-SN <input type="checkbox"/> RG-WH <input type="checkbox"/> SN-SN <input type="checkbox"/> RG-PB

PINHOLE



LED2-1414-11W-SP-A-WH

Example: LED2-1414-11W-SP-30K-WH

TYPE	WATTAGE	OPTICS	(A) COLOR		FINISH
LED2-1414 (PINHOLE)	<input type="checkbox"/> 11W	<input type="checkbox"/> SP	<input type="checkbox"/> 27K <input type="checkbox"/> 30K <input type="checkbox"/> 35K	<input type="checkbox"/> 40K <input type="checkbox"/> 50K	<input type="checkbox"/> WH

ONE PIECE SLOT APERTURE



LED2-1403-11W-A-WH

Example: LED2-1403-11W-30K-WH

TYPE	WATTAGE	(A) COLOR	FINISH
LED2-1403 (ONE PIECE SLOT APERTURE)	<input type="checkbox"/> 11W	<input type="checkbox"/> 27K <input type="checkbox"/> 30K <input type="checkbox"/> 35K	<input type="checkbox"/> 40K <input type="checkbox"/> 50K <input type="checkbox"/> WH

SMOOTH FROST SHOWER LITE



LED2-1437-11W-FL-A-B



Example: LED2-1437-11W-FL-30K-CL-WH

TYPE	WATTAGE	OPTICS	(A) COLOR		(B) FINISH	
LED2-1437 (SMOOTH FROST SHOWER LITE)	<input type="checkbox"/> 11W	<input type="checkbox"/> FL	<input type="checkbox"/> 27K <input type="checkbox"/> 30K <input type="checkbox"/> 35K	<input type="checkbox"/> 40K <input type="checkbox"/> 50K	<input type="checkbox"/> BZ <input type="checkbox"/> WH <input type="checkbox"/> CP	<input type="checkbox"/> CH <input type="checkbox"/> BK <input type="checkbox"/> SN

SEMI-FROSTED SHOWER TRIM



LED2-1462-11W-FL-A-B



Example: LED2-1462-11W-FL-30K-CL-WH

TYPE	WATTAGE	OPTICS	(A) COLOR		(B) FINISH	
LED2-1462 (SEMI-FROSTED SHOWER TRIM)	<input type="checkbox"/> 11W	<input type="checkbox"/> FL	<input type="checkbox"/> 27K <input type="checkbox"/> 30K <input type="checkbox"/> 35K	<input type="checkbox"/> 40K <input type="checkbox"/> 50K	<input type="checkbox"/> CL-BZ <input type="checkbox"/> CL-WH <input type="checkbox"/> CL-CP	<input type="checkbox"/> CL-CH <input type="checkbox"/> CL-BK <input type="checkbox"/> CL-SN

SURFACE ADJUSTABLE (90° TILT, 35°)

Description:

- Fixture adjusts 90° and rotates 359°.
- All die-cast construction is for functional and aesthetic use
- Can be used to accentuate an artwork or a particular object



LED2-1406-11W- **A** - **B** -BK



LED2-1406-11W- **A** - **B** -SN



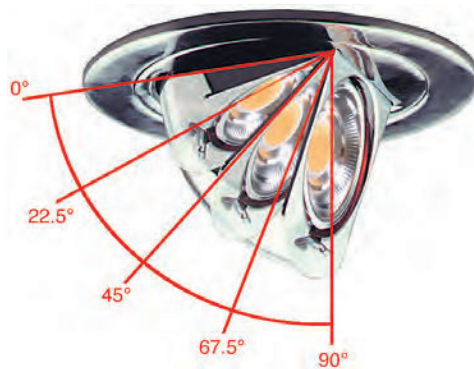
LED2-1406-11W- **A** - **B** -CH



LED2-1406-11W- **A** - **B** -CP



LED2-1406-11W- **A** - **B** -BZ



Example: **LED2-1406-11W-SP-30K-WH**

TYPE	WATTAGE	(A) OPTICS	(B) COLOR	FINISH
LED2-1406 (ADJUSTABLE)	<input type="checkbox"/> 11W	<input type="checkbox"/> NFL 36° <input type="checkbox"/> FL 60° <input type="checkbox"/> SP 25°	<input type="checkbox"/> 27K <input type="checkbox"/> 40K <input type="checkbox"/> 30K <input type="checkbox"/> 50K <input type="checkbox"/> 35K	<input type="checkbox"/> BK <input type="checkbox"/> SN <input type="checkbox"/> CH <input type="checkbox"/> CP <input type="checkbox"/> BZ

BAFFLE WALL WASH



LED2-1416-11W-FL-**A**-**B**



Example: LED2-1416-11W-FL-30K-W-W-WH

TYPE	WATTAGE	OPTICS	(A) COLOR		(B) FINISH	
LED2-1416 (LENSED WALL WASH BAFFLE)	<input type="checkbox"/> 11W	<input type="checkbox"/> FL	<input type="checkbox"/> 27K	<input type="checkbox"/> 40K	<input type="checkbox"/> W-W-WH	<input type="checkbox"/> CP-CP-WH
			<input type="checkbox"/> 30K	<input type="checkbox"/> 50K	<input type="checkbox"/> P-W-WH	<input type="checkbox"/> BZ-BZ-WH
			<input type="checkbox"/> 35K		<input type="checkbox"/> SN-SN-WH	<input type="checkbox"/> P-BK-WH



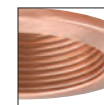
W-WH
White White



P-BK
Black Black



BZ-BZ
Bronze Bronze



CP-CP
Copper Copper



SN-SN
Satin Nickel

REFLECTOR WALL WASH



LED2-1407-11W-FL-**A**-**B**



Example: LED2-1407-11W-FL-30K-W-W-WH

TYPE	WATTAGE	OPTICS	(A) COLOR		(B) FINISH					
LED2-1407 (REFLECTOR WALL WASH)	<input type="checkbox"/> 11W	<input type="checkbox"/> FL	<input type="checkbox"/> 27K	<input type="checkbox"/> 40K	<input type="checkbox"/> CP-W-WH	<input type="checkbox"/> BZ-BZ-WH	<input type="checkbox"/> RG-W-WH	<input type="checkbox"/> MB-W-WH	<input type="checkbox"/> CP-CP-WH	
			<input type="checkbox"/> 30K	<input type="checkbox"/> 50K	<input type="checkbox"/> MB-BK-WH	<input type="checkbox"/> W-W-WH	<input type="checkbox"/> RG-PB-WH	<input type="checkbox"/> CL-CH-WH	<input type="checkbox"/> CL-SN-WH	
			<input type="checkbox"/> 35K						<input type="checkbox"/> SN-SN-WH	



CL-WH
Clear White



CL-CH
Clear Chrome



SN-SN
Satin Nickel



W-WH
White White



SN-WH
Satin White



RG-PB
Gold Polish
Brass



BZ-BZ
Bronze Bronze



CP-CP
Copper Copper



CP-WH
Copper White



MB-BK
Black Black



MB-WH
Back White



RG-WH
Gold White