

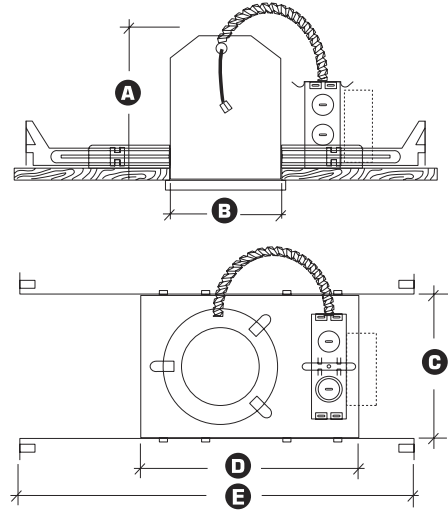
LED2-3 3" NEW CONSTRUCTION NON-IC LED DOWNLIGHT



500 LUMENS

INPUT VOLT.	INPUT FREQ.	INPUT CUR.	INPUT POWER	THD	POWER FACTOR	LUMENS
120/277	50/60Hz	55mA/20mA	8W(+/-5%)	<20%	>0.9	500

- A** Height = 5-1/2"
- B** Cut-out = 3-3/4"
- C** Width = 5-1/2"
- D** Length = 8"
- E** Bar Hanger = 12"-24"



DESCRIPTION - 3" LED dedicated New Construction NON-IC housing with the driver installed on the junction box. Designed for New Construction installations and suitable for use in ceilings where insulation is kept 3 inches from housing. The excellent color rendering index of 85+ and realistic color temperature confirms that the Elite LED luminaires are ideally suited for use in hospitality, health care, commercial, retail and residential applications. Consuming 8 Watts and producing over 500 usable lumens, the lighting is smooth and comfortable while using nearly 80% less energy than the equivalent 50W BR20/PAR20 or MR16. Plus the eco-friendly Elite LED system features 70% lumen maintenance at 50,000 hours life.

FEATURES - Greater light output than a 50W BR20/PAR20 or MR16 while consuming 8 Watts of power. Spot distribution is ideal for task lighting applications.



DURABILITY - Our die-cast system pulls the heat from the LED chip, allowing continued cool operation for years. Life tests have shown the 6 watt Elite LED output will be maintained at 70% of initial lumens at 50,000 hours of operation.

DRIVER - Our LED driver is rated for 50 to 60 Hz, produces less than 20% THD, has a power factor between 0.90 and 1.00 and is thermally protected for additional safety. Elite LED driver is installed on the junction box cover, it is easily accessible for service from below the ceiling. Additionally, a 277V option is available.

DIMMABLE - The Elite LED system is fully dimmable down to 10% of initial light output with a Triac & Electronic Low Voltage dimmer when ordered with the following option (DIMTR-120). Applications requiring 277V are not dimmable. Consult Factory for details.

BAR HANGERS - Preinstalled bar hangers allow housing to be positioned and locked at any point within a 24" joist span. They can be positioned on either the long or short axis of the housing and can be shortened for 12" joists. They contain a double-headed real nail for secure attachment into the joist. Bar hanger nails are installed on a 20° downward angle for better contact, and the 90° pivoting mounting plate makes installation fast and accurate. Bar hangers can fit onto T-Bar spline with additional slots and holes for special mounting methods if necessary.

JUNCTION BOX - UL Listed for through-branch circuit wiring, provided with four 1/2" knockouts, one 3/4" knockout and four Romex knockouts with integral strain clamps, all knockouts have true pry-out slots. J-box is designed for straight through conduit runs. Driver is installed on the junction box cover so it may be serviced from below the ceiling.

REPEATABLE - Our superior design allows for installation in construction that requires the Elite LED Air-Shut™ system. All Elite LED luminaires are rated at 85+ CRI and tested to LM-79 and LM-80 standards by a certified laboratory, and meets the California Title-24 compliance standards.

THERMAL PROTECTION - Standard thermal protection device guards against improper installation and misuse of insulation material.

HOUSING - Die-formed aluminum and galvanized steel for maximum heat dissipation and rust protection. Housing adjusts vertically in plaster frame to accommodate 1/2" to 1-3/8" thick ceiling. Designed for new construction

installations and is suitable for use in ceilings where insulation is kept 3 inches from housing. May be installed in 2" x 6" joist construction.

OUR WORD - The LED2-3 eco-friendly Elite LED system is warranted for 3 years.

LISTING

c-UL-us / c-ETL-us - listed for Damp location.
 c-UL-us / c-ETL-us - listed for feed Through Wiring.
 LM79 / LM80
 Covered by U.S. Patent Number: 7717390B1

DIMMING INFORMATION

DIMTR (Triac & Electronic Low Voltage Dimming)

Please see page 306 for Trim Options

Example: LED2-3-8W-DIMTR-120-AT/LED2-1301-8W-SP-35K-W-WH

TYPE	500 LUMENS	AIR-SHUT
LED2-3	<input type="checkbox"/> 8W-DIMTR-120 <input type="checkbox"/> 8W-277 (Non-Dimming)	AT

TRIM TYPE	WATTAGE	OPTICS	COLOR	FINISH
LED2-1301 (BAFFLE)	<input type="checkbox"/> 8W	<input type="checkbox"/> SP	<input type="checkbox"/> 27K <input type="checkbox"/> 40K <input type="checkbox"/> 30K <input type="checkbox"/> 50K <input type="checkbox"/> 35K	<input type="checkbox"/> W-WH <input type="checkbox"/> SN-SN <input type="checkbox"/> CP-CP <input type="checkbox"/> P-WH <input type="checkbox"/> P-BK <input type="checkbox"/> BZ-BZ
LED2-1302 (REFLECTOR)	<input type="checkbox"/> 8W	<input type="checkbox"/> SP	<input type="checkbox"/> 27K <input type="checkbox"/> 40K <input type="checkbox"/> 30K <input type="checkbox"/> 50K <input type="checkbox"/> 35K	<input type="checkbox"/> CL-WH <input type="checkbox"/> MB-WH <input type="checkbox"/> SN-SN <input type="checkbox"/> W-WH <input type="checkbox"/> CL-CH <input type="checkbox"/> CL-SN <input type="checkbox"/> BZ-BZ <input type="checkbox"/> CP-CP <input type="checkbox"/> MB-BK <input type="checkbox"/> RG-WH <input type="checkbox"/> CP-WH <input type="checkbox"/> SN-WH
LED2-1362 (LENSED)	<input type="checkbox"/> 8W	<input type="checkbox"/> FL	<input type="checkbox"/> 27K <input type="checkbox"/> 40K <input type="checkbox"/> 30K <input type="checkbox"/> 50K <input type="checkbox"/> 35K	<input type="checkbox"/> CP <input type="checkbox"/> BZ <input type="checkbox"/> BK <input type="checkbox"/> WH <input type="checkbox"/> SN <input type="checkbox"/> CH

Gather the light scattered by the LED chip, shape it into a functional beam with a glare reducing cone that has a 55-degree cut-off. Now you have the Elite engineered, superior quality, 3" architectural LED downlight; consuming 6 Watts and producing over 500 lumens.

Among the trim options are: white, black, Copper, Bronze or satin nickel architectural low glare baffle with a variety of trim ring color options. Die-cast aluminum trim and integral heat management system are engineered for extremely long life and service period.

The heat sink extrusion is made from 3001 aluminum and is engineered to be in intimate contact with the die-cast trim. The cast trim has been designed to maximize reflective surface areas while keeping effective heat dissipation a priority.

As technology improves or the needs of a space changes, the Elite architectural 3" LED trim can be upgraded. Simply pull it down from the housing and unplug the quick EZ-disconnect. Putting in a new trim is just as easy and there is no danger of electrical shock. The EZ-connect system eliminates incidental contact and the system is powered by less than 12 volts.

BAFFLE

COVERED BY U.S. PATENT NUMBERS: D646011S



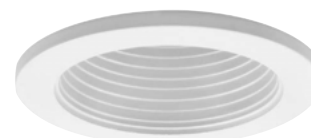
LED2-1301-8W-SP-A-P-BK

Photometric Multiplier .75



LED2-1301-8W-SP-A-BZ-BZ

Photometric Multiplier .85



LED2-1301-8W-SP-A-W-WH

Photometric Multiplier 1.0



LED2-1301-8W-SP-A-SN-SN



LED2-1301-8W-SP-A-CP-CP

Photometric Multiplier .87



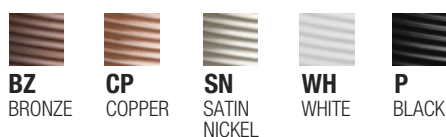
LED2-1301-8W-SP-A-P-WH

Photometric Multiplier .75

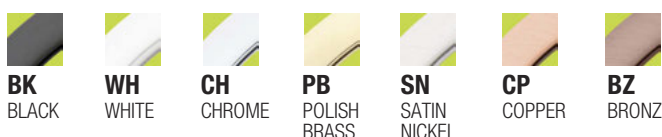
Example: **LED2-1301-8W-SP-30K-W-WH**

TYPE	WATTAGE	OPTICS	(A) COLOR	FINISH
LED2-1301	<input type="checkbox"/> 8W	<input type="checkbox"/> SP	<input type="checkbox"/> 27K <input type="checkbox"/> 40K <input type="checkbox"/> 30K <input type="checkbox"/> 50K <input type="checkbox"/> 35K	<input type="checkbox"/> W-WH <input type="checkbox"/> CP-CP <input type="checkbox"/> P-WH <input type="checkbox"/> BZ-BZ <input type="checkbox"/> SN-SN <input type="checkbox"/> P-BK

BAFFLE FINISH:



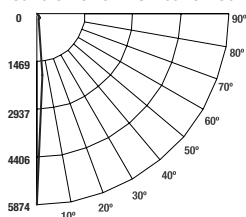
TRIM/RING FINISH:



THE MOST UP TO DATE PHOTOMETRIC DATA IS AVAILABLE ONLINE @ WWW.IUSEELITE.COM

TRIM: **LED2-1301-8W-SP-50K-W-WH**
 TEST NO.: **ELT-LED2-1301-0300**
 LUMENS: **510.7**
 SPACING CRITERIA: **0.14**

Candle Power Distribution Curve (Candela)



Candela Distribution

Candela	Beam Angle
0	0
5874	5
1904	15
173	25
151	35
138	45
83	55
3	65
3	75
3	85
0	90

Zonal Lumen Summary

Zone	Lumens	%Lamp	%Fixture
0-30	324.3	66.6%	66.6%
0-40	410.8	84.4%	84.4%
0-60	477.7	98.1%	98.1%
0-90	487.0	100%	100%

REFLECTOR



LED2-1302-8W-SP-**A**-CL-WH
Photometric Multiplier 1.0



LED2-1302-8W-SP-**A**-CP-WH
Photometric Multiplier .90



LED2-1302-8W-SP-**A**-SN-WH
Photometric Multiplier .87



LED2-1302-8W-SP-**A**-CL-CH
Photometric Multiplier 1.0



LED2-1302-8W-SP-**A**-CP-CP
Photometric Multiplier .90



LED2-1302-8W-SP-**A**-SN-SN
Photometric Multiplier .87



LED2-1302-8W-SP-**A**-CL-SN
Photometric Multiplier 1.0



LED2-1302-8W-SP-**A**-BZ-BZ
Photometric Multiplier .87



LED2-1302-8W-SP-**A**-RG-WH
Photometric Multiplier .90



LED2-1302-8W-SP-**A**-MB-WH
Photometric Multiplier .77



LED2-1302-8W-SP-**A**-MB-BK
Photometric Multiplier .77



LED2-1302-8W-SP-**A**-W-WH
Photometric Multiplier .95



LED2-1362-8W-FL-**A**-**B**



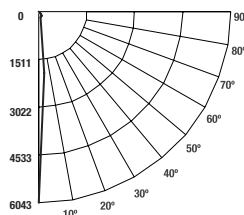
Example: LED2-1302-8W-SP-30K-W-WH

TYPE	WATTAGE	OPTICS	COLOR	FINISH
LED2-1302	<input type="checkbox"/> 8W	<input type="checkbox"/> SP	<input type="checkbox"/> 27K <input type="checkbox"/> 35K <input type="checkbox"/> 50K <input type="checkbox"/> 30K <input type="checkbox"/> 40K	<input type="checkbox"/> CL-WH <input type="checkbox"/> W-WH <input type="checkbox"/> SN-WH <input type="checkbox"/> MB-WH <input type="checkbox"/> CP-CP <input type="checkbox"/> SN-SN <input type="checkbox"/> CP-WH <input type="checkbox"/> BZ-BZ <input type="checkbox"/> RG-WH <input type="checkbox"/> CL-CH <input type="checkbox"/> CL-SN <input type="checkbox"/> MB-BK
TYPE	WATTAGE	OPTICS	(A) COLOR	(B) FINISH
LED2-1362	<input type="checkbox"/> 8W	<input type="checkbox"/> FL	<input type="checkbox"/> 27K <input type="checkbox"/> 35K <input type="checkbox"/> 50K <input type="checkbox"/> 30K <input type="checkbox"/> 40K	<input type="checkbox"/> CP <input type="checkbox"/> WH <input type="checkbox"/> BZ <input type="checkbox"/> SN <input type="checkbox"/> BK <input type="checkbox"/> CH

THE MOST UP TO DATE PHOTOMETRIC DATA IS AVAILABLE ONLINE @ WWW.IUSEELITE.COM

TRIM: LED-1302-8W-SP-50K-CL-WH
TEST NO.: ELT-LED2-1302-0315
LUMENS: 545.6
SPACING CRITERIA: .14

Candle Power Distribution Curve (Candela)



Candela Distribution

Candela	Distribution
0	0
5	6043
15	1982
25	190
35	167
45	149
55	91
65	5
75	3
85	3
90	2
	0

Zonal Lumen Summary

Zone	Lumens	%Lamp	%Fixture
0-30	344.6	66.1%	66.1%
0-40	438.1	84.1%	84.1%
0-60	513.0	98.4%	98.4%
0-90	521.1	100%	100%